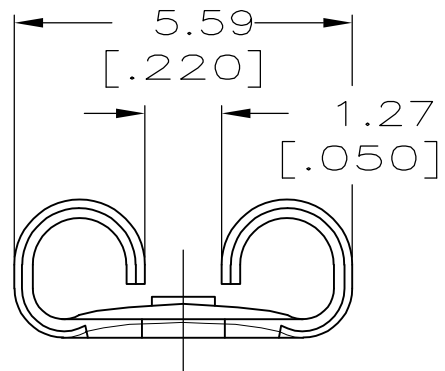
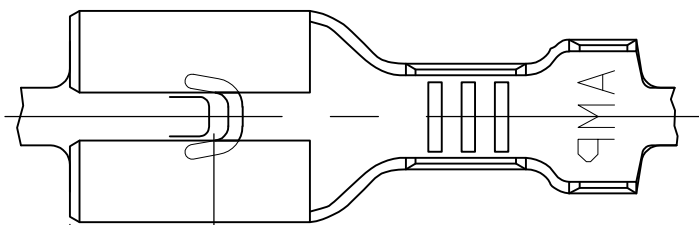


THIS DRAWING IS UNPUBLISHED. RELEASED FOR PUBLICATION
 © COPYRIGHT - By - ALL RIGHTS RESERVED.

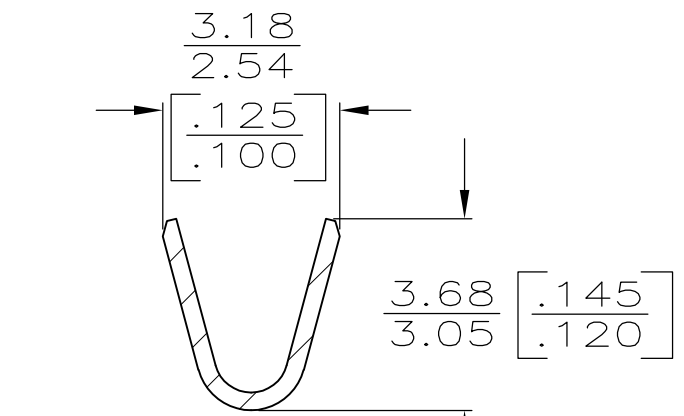
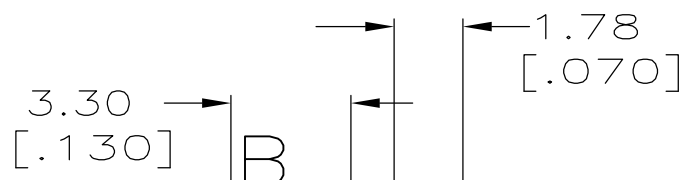
LOC	DIST	REVISIONS					
AF	50	P	LTR	DESCRIPTION	DATE	DWN	APVD
		C		REVISED PER ECR-12-013518	23NOV2012	KH	PD



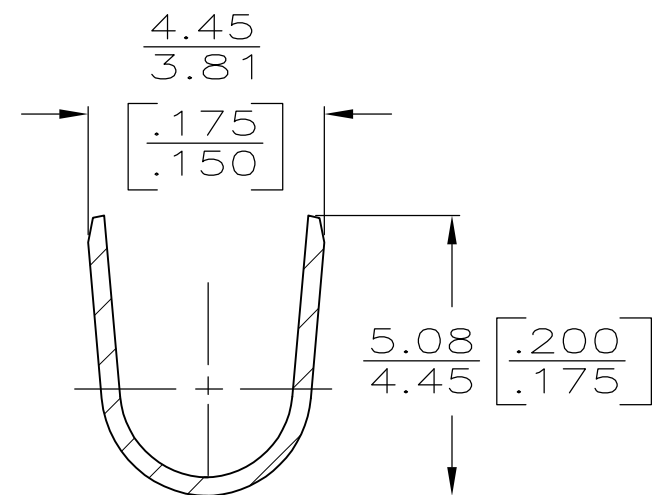
SECTION A-A
SCALE 8:1

1 CONTINUOUS STRIP ON REELS.

3.61
[.142]

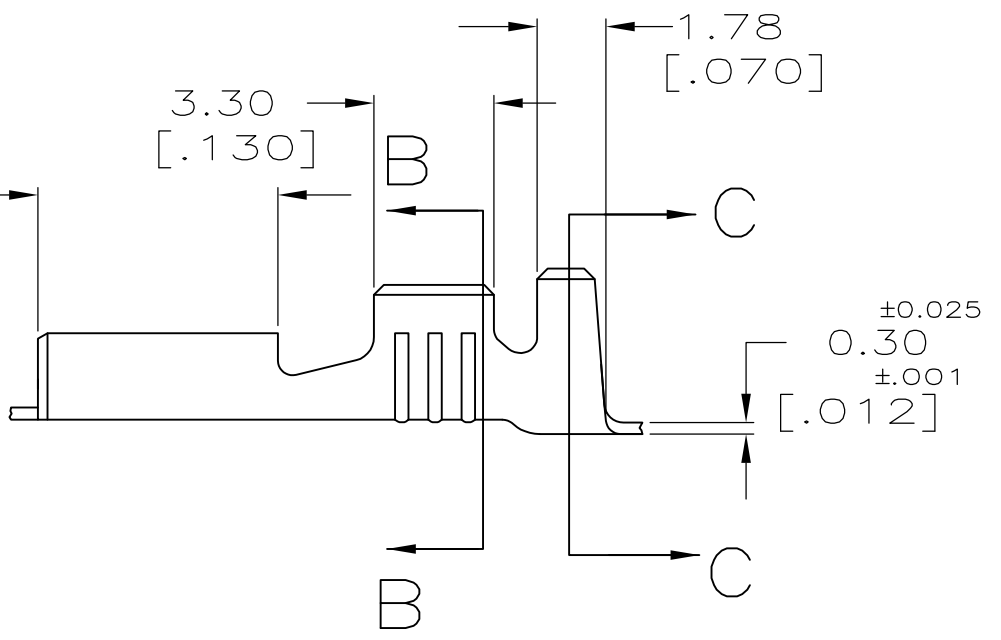


SECTION B-B
SCALE 8:1



SECTION C-C
SCALE 8:1

A
6.35
[.250]



2.29-3.30 DIA [.090-.130] DIA	0.5-1.3mm ² [#20-#16] AWG	-	63654-1
INSUL RANGE	WIRE SIZE	FINISH	PART NO

THIS DRAWING IS A CONTROLLED DOCUMENT.		DWN JR RUTH 8/19/96	TE Connectivity RECEPTACLE, FASTON, LOW-INSERTION, 4.75 [.187] SERIES			
DIMENSIONS: mm [INCHES]		CHK MS FEHER 8/19/96				
TOLERANCES UNLESS OTHERWISE SPECIFIED:		APVD P DESANTIS 8/19/96				
0 PLC ± - 1 PLC ± - 2 PLC ± 0.25 [.010] 3 PLC ± - 4 PLC ± - ANGLES ± -		PRODUCT SPEC -				
MATERIAL BRASS	FINISH -	APPLICATION SPEC -	SIZE A3	CAGE CODE 00779	DRAWING NO C-63654	RESTRICTED TO -
CUSTOMER DRAWING			SCALE 5:1	SHEET 1 OF 1	REV C	